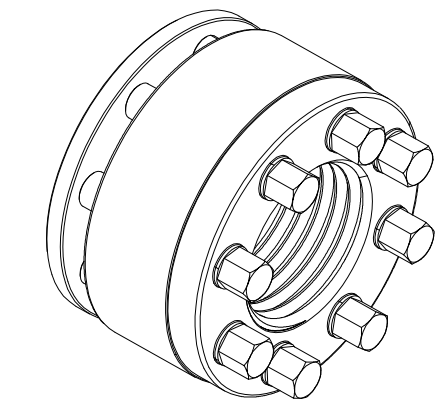
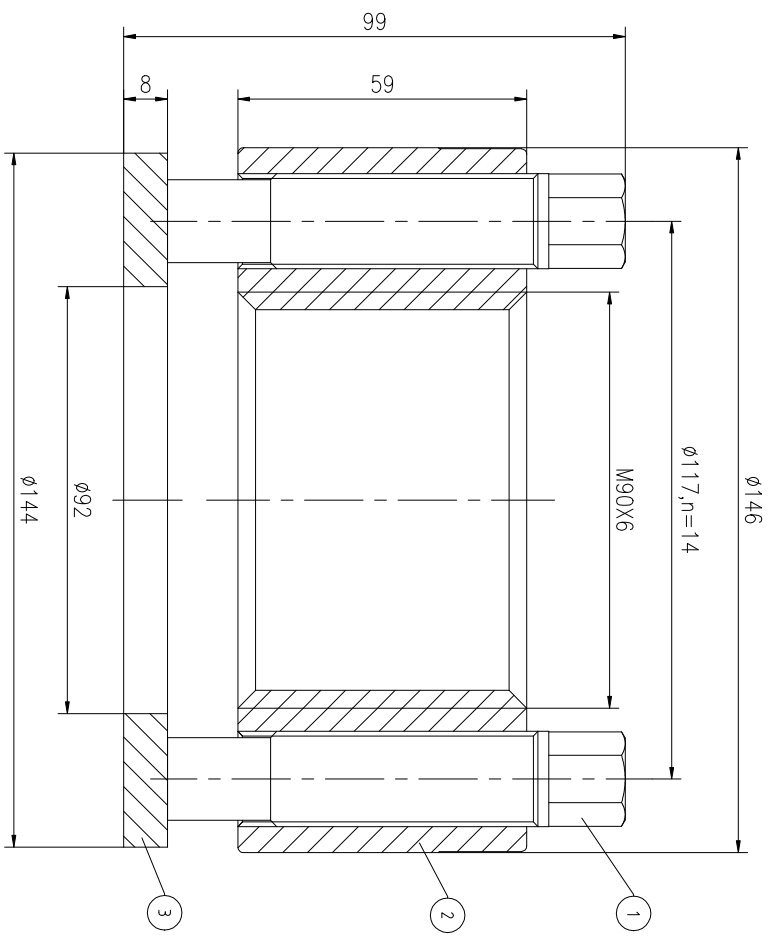
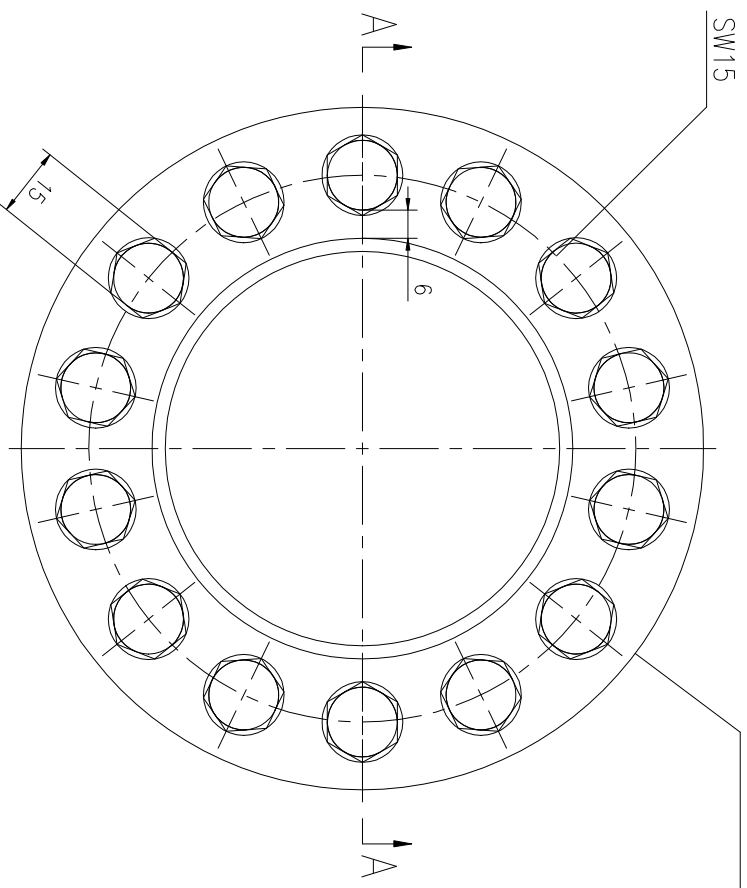


REV	DESCRIPTION	DWG CHECK	APPR BY	APPR DATE

REVISION HISTORY

Logo
 PSN:model
 NO:drawing number
 NOM torque:**
 NOM preload:**
 MAX:max preload



NOM TORQUE	352NM
NOM PRELOAD	2260KN
MAX PRELOAD CAPACITY	2950KN
LUBRICANT	G-N PLUS
TEMPERATURE RATING	-25 C ~250 C°

PART	DWG NO.	QTY	DESCRIPTION	MATERIAL	WEIGHT(kg)
1	BAS17.516911	14	Bolt 11/16-16UN	CNMo	0.17/pos
2	AS90671M-1	1	Nut M90X6	CNMo	3.66
3	AS90671M-3	1	Gasket 92X144X8	CNMo	0.6

During on-site installation, please adjust the torque in conjunction with the bolt stretching distance. Without our authorization, the drawings shall not be shared with any third party, and we reserve the right to pursue legal liability against those who disclose the drawings to external parties.

上海康普曼传动机械有限公司
 KPM Power Transmission (Shanghai) Co.,Ltd
 +86 021-61301856
 Liang.Guo@kpmdrive.com.cn

DESIGNED: DATE: 2025.11.03
 REVIEWED: DATE: 2025.11.03
 DRAWN: DATE: 2025.11.03

ASM-90X6
 DWG NO.: AS90671M
 SHEET: 1:1

WEIGHT: 6.7kg
 STATE: PRELIMINARY APPROVED

PARTS LIST