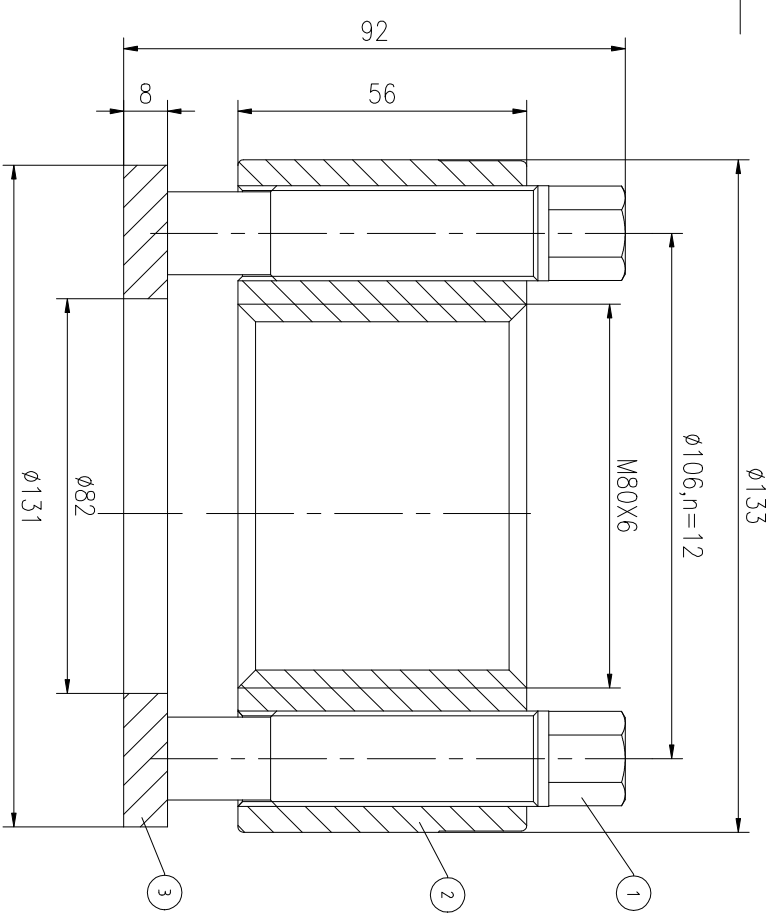
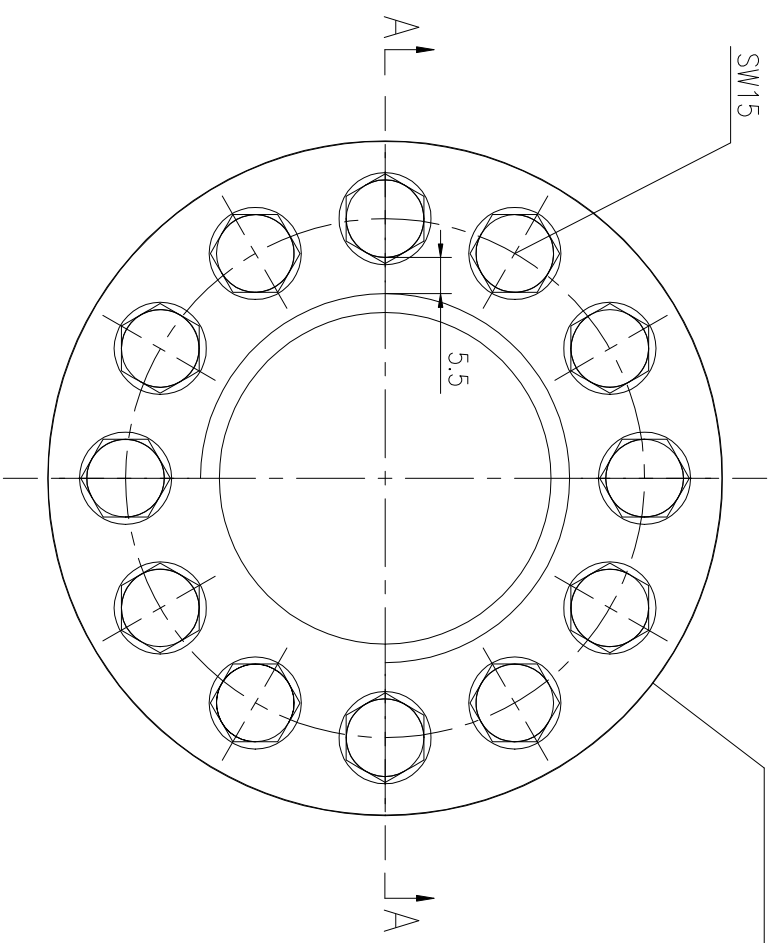


Logo
 PSN:model
 NO:drawing number
 NOM torque:**
 NOM preload:**
 MAX:max preload



PARTS LIST

PART	DWG NO.	QTY	DESCRIPTION	MATERIAL	WEIGHT(kg)
1	BAS17.516841	12	Bolt 11/16-16UN-84	CNMMo	0.16/pos
2	AS80661M-1	1	Nut M80X6	CNMMo	2.87
3	AS80661M-3	1	Gasket 82X131X8	CNMMo	0.52

During on-site installation, please adjust the torque in conjunction with the bolt stretching distance. Without our authorization, the drawings shall not be shared with any third party, and we reserve the right to pursue legal liability against those who disclose the drawings to external parties.

NOM TORQUE	352NM	上海康普曼传动机械有限公司		+86 021-61301856
NOM PRELOAD	1900KN	KPM Power Transmission (Shanghai) Co.,Ltd		Liang.Guo@kpmdrive.com.cn
MAX PRELOAD CAPACITY	2530KN	DESIGNED: DATE: 2025.11.03	ASM-80X6	
LUBRICANT	G-N PLUS	REVIEWED: DATE: 2025.11.03	STATE: PRELIMINARY APPROVED	
TEMPERATURE RATING	-25 C ~250 C°	DRAWN: DATE:	DWG NO.: AS80661M	SHEET: 1:1

