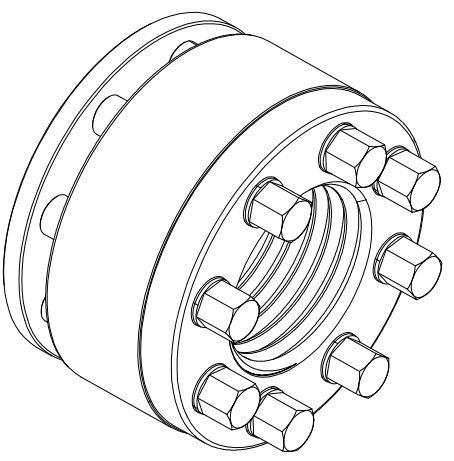
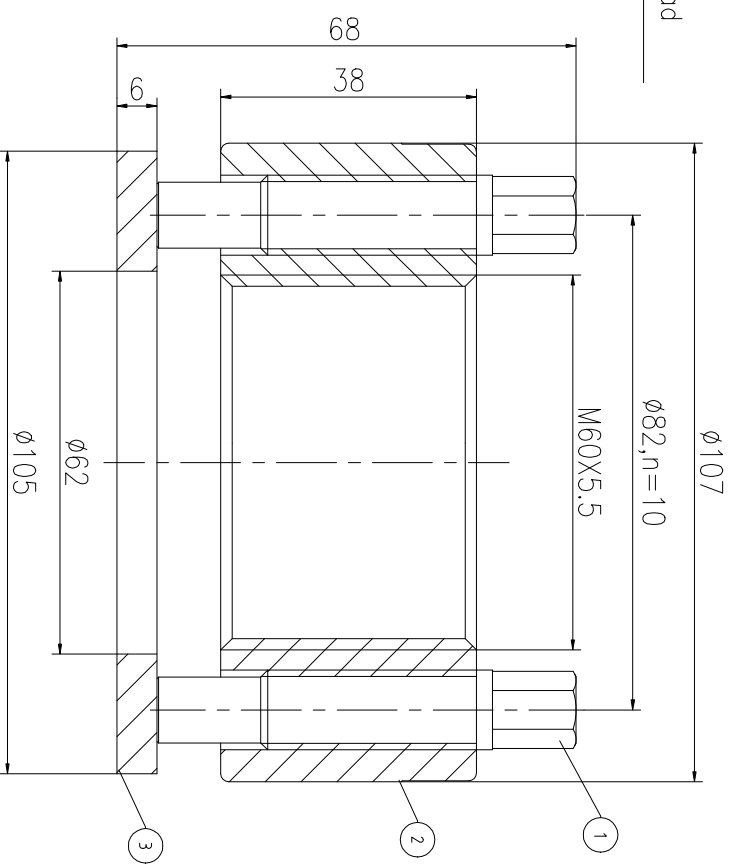
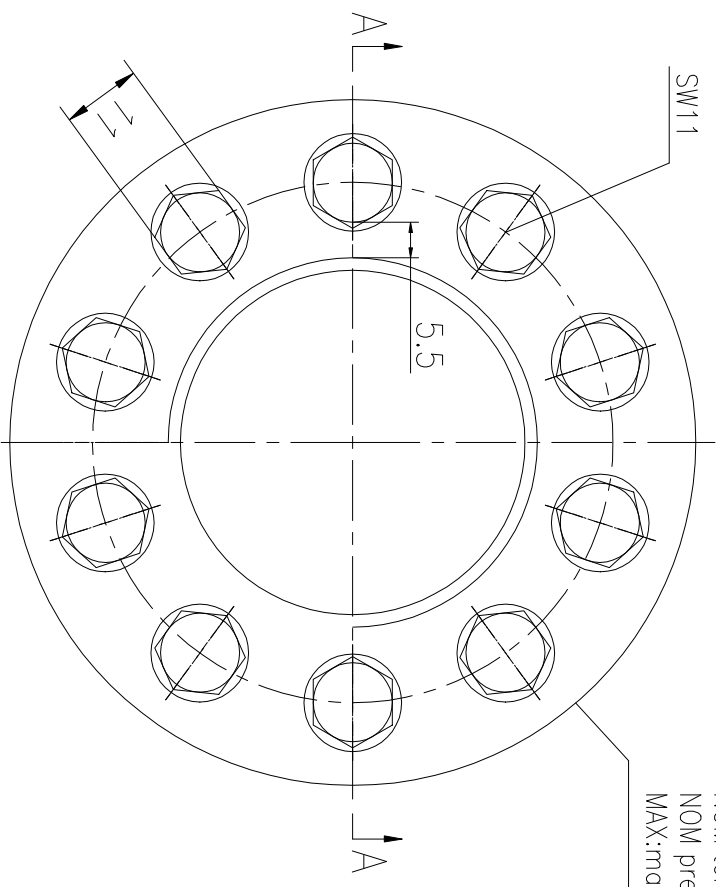


REV	DESCRIPTION	DWG CHECK	APPR BY	APPR DATE

REVISION HISTORY

Logo
 PSN:model
 NO: drawing number
 NOM torque:**
 NOM preload:**
 MAX:max preload

A-A



PART	DWG NO.	QTY	DESCRIPTION	MATERIAL	WEIGHT(kg)
1	BAS12.720623	10	Bolt 1/2-20UNF	CNMMo	0.06/pos
2	AS605.551M-1	1	Nut M60X5.5	CNMMo	1.54
3	AS605.551M-3	1	Gasket 62X105X6	CNMMo	0.27

During on-site installation, please adjust the torque in conjunction with the bolt stretching distance. Without our authorization, the drawings shall not be shared with any third party, and we reserve the right to pursue legal liability against those who disclose the drawings to external parties.

NOM TORQUE	141NM	上海康普曼传动机械有限公司		+86 021-61301856
NOM PRELOAD	875KN	KPM Power Transmission (Shanghai) Co.,Ltd		Liang.Guo@kpmdrive.com.cn
MAX PRELOAD CAPACITY	1160KN	DESIGNED: DATE: 2025.11.06	ASM-60X5.5	
LUBRICANT	G-N PLUS	REVIEWED: DATE: 2025.11.06	STATE: PRELIMINARY APPROVED	
TEMPERATURE RATING	-25 C ~ 250 C °	DRAWN: DATE:	DWG NO.: AS605.551M	SHEET: 1:1