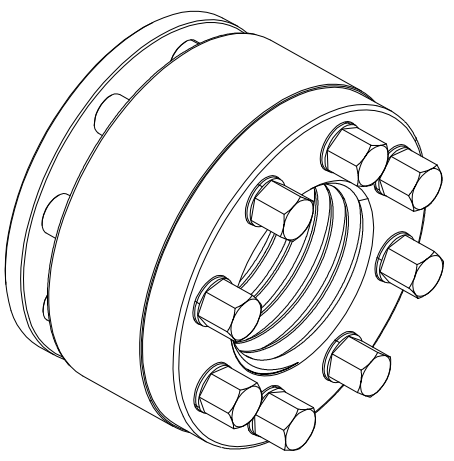
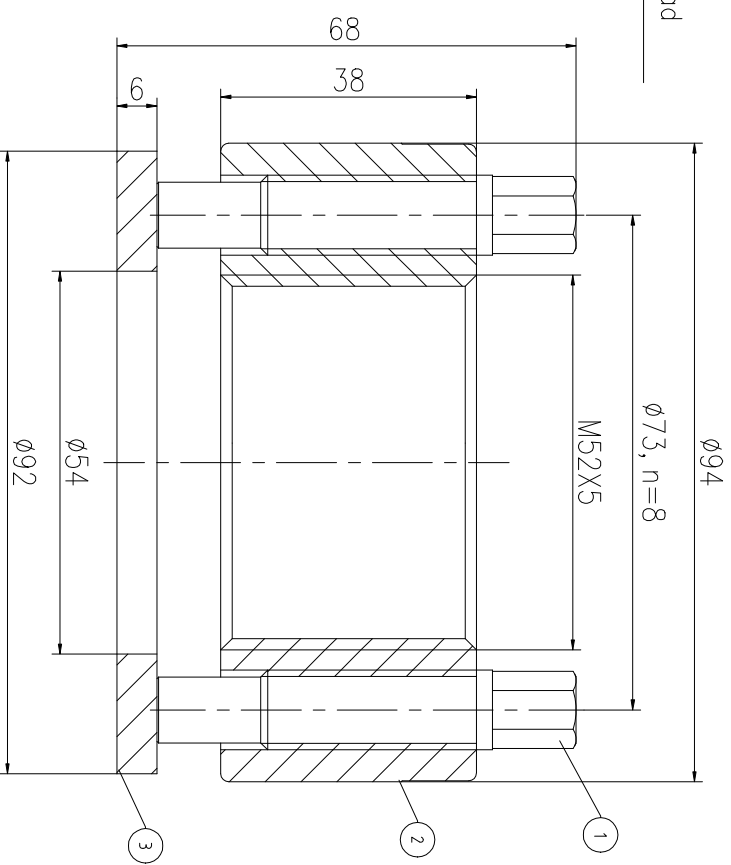
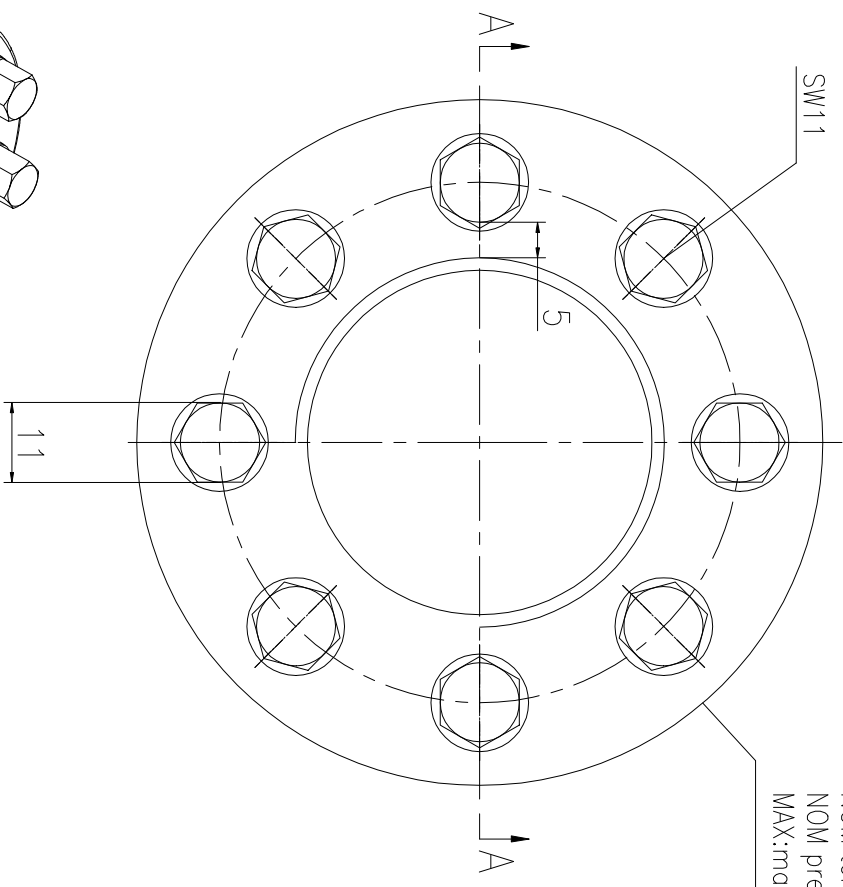


REV	DESCRIPTION	DWG CHECK	APPR BY	APPR DATE

REVISION HISTORY

Logo  
 PSN:model  
 NO:drawing number  
 NOM torque:\*\*  
 NOM preload:\*\*  
 MAX:max preload

A-A



PART	DWG NO.	QTY	DESCRIPTION	MATERIAL	WEIGHT(kg)
1	BAS12.720623	8	Bolt 1/2-20UNF	CNMMo	0.06/pos
2	ASS2541M-1	1	Nut M52X5	CNMMo	1.2
3	ASS2541M-3	1	Gasket 54X92X6	CNMMo	0.2

During on-site installation, please adjust the torque in conjunction with the bolt stretching distance. Without our authorization, the drawings shall not be shared with any third party, and we reserve the right to pursue legal liability against those who disclose the drawings to external parties.

上海康普曼传动机械有限公司

+86 021-61301856

KPM Power Transmission (Shanghai) Co.,Ltd

Liang.Guo@kpmdrive.com.cn

NOM TORQUE	141NM
NOM PRELOAD	700KN
MAX PRELOAD CAPACITY	935KN
LUBRICANT	G-N PLUS
TEMPERATURE RATING	-25 C~250 C *

DESIGNED:	DATE:	2025.11.06	ASM-52X5	SHEET:	1:1
REVIEWED:	DATE:	2025.11.06			
DRAWN:	DATE:		DWG NO.:	ASS2541M	PRELIMINARY APPROVED