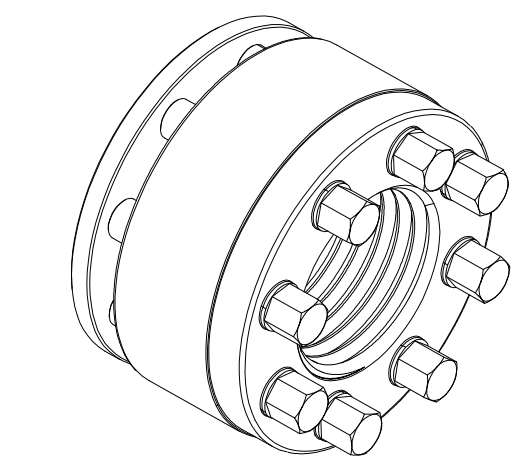
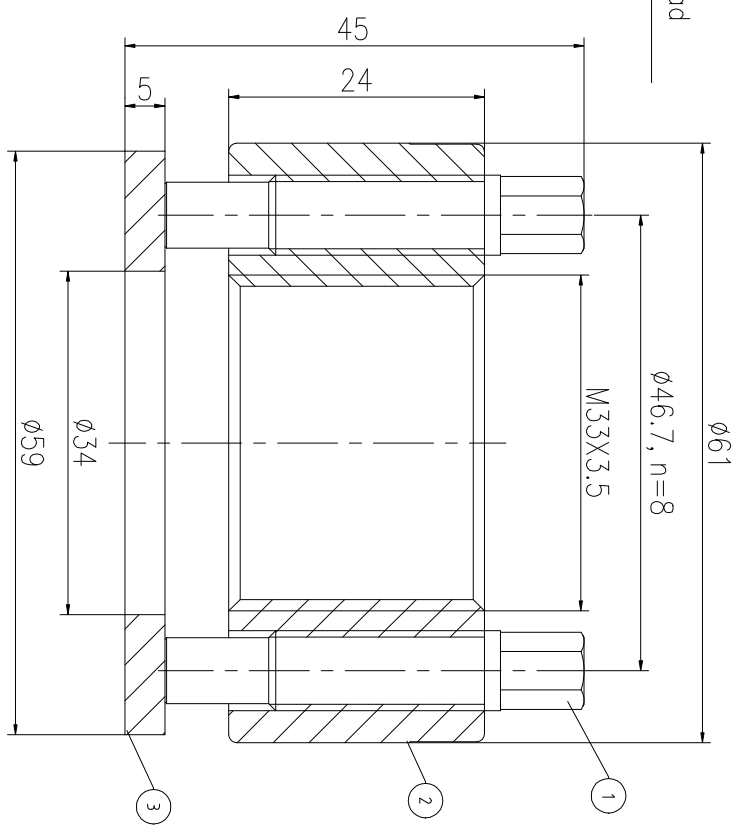
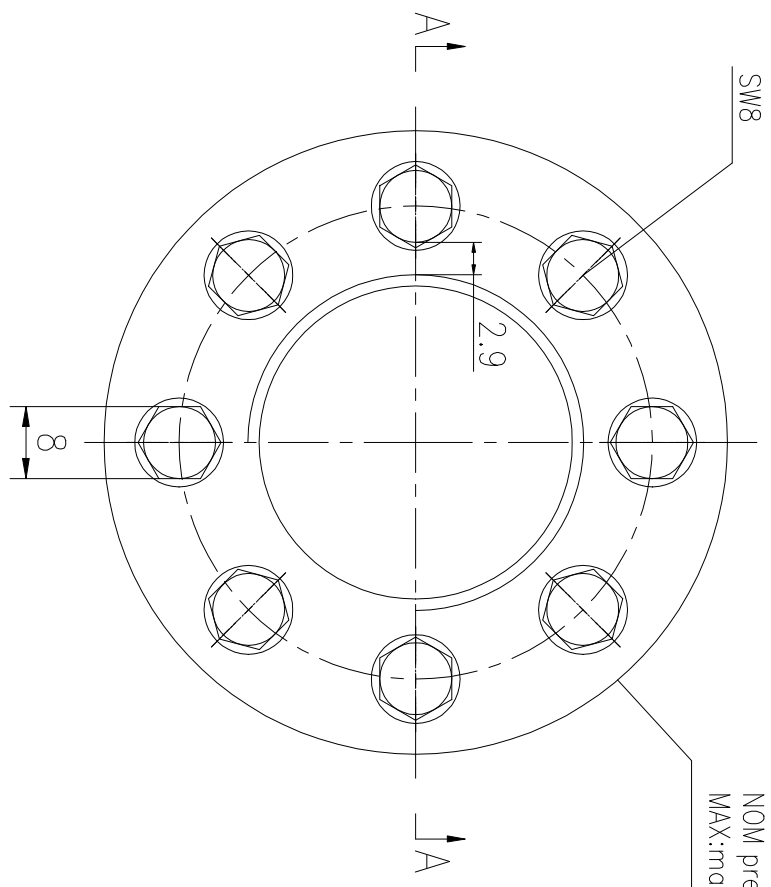


REV	DESCRIPTION	DWG CHECK	APPR BY	APPR DATE

REVISION HISTORY

Logo  
 PSN:model  
 NO: drawing number  
 NOM torque:\*\*  
 NOM preload:\*\*  
 MAX:max preload



NOM TORQUE	42NM
NOM PRELOAD	285KN
MAX PRELOAD CAPACITY	380KN
LUBRICANT	G-N PLUS
TEMPERATURE RATING	-25 C~250 C

PART	DWG NO.	QTY	DESCRIPTION	MATERIAL	WEIGHT(kg)
1	BAS9.520401	8	Bolt 3/8-20UNF	CNMMo	0.02/pos
2	AS333.541M-1	1	Nut M33X3.5	CNMMo	0.31
3	AS333.541M-3	1	Gasket 34X59X5	CNMMo	0.07

During on-site installation, please adjust the torque in conjunction with the bolt stretching distance. Without our authorization, the drawings shall not be shared with any third party, and we reserve the right to pursue legal liability against those who disclose the drawings to external parties.

上海康普曼传动机械有限公司  
 KPM Power Transmission (Shanghai) Co.,Ltd  
 +86 021-61301856  
 Liang.Guo@kpmdrive.com.cn  
 DESIGNED: DATE: 2025.11.06  
 REVIEWED: DATE: 2025.11.06  
 DRAWN: DATE: 2025.11.06  
 DWG NO.: AS333.541M  
 SHEET: 1:1

ASM-33X3.5  
 WEIGHT: 0.56  
 STATE: PRELIMINARY APPROVED