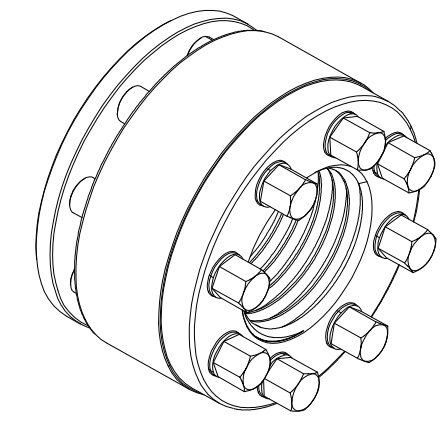
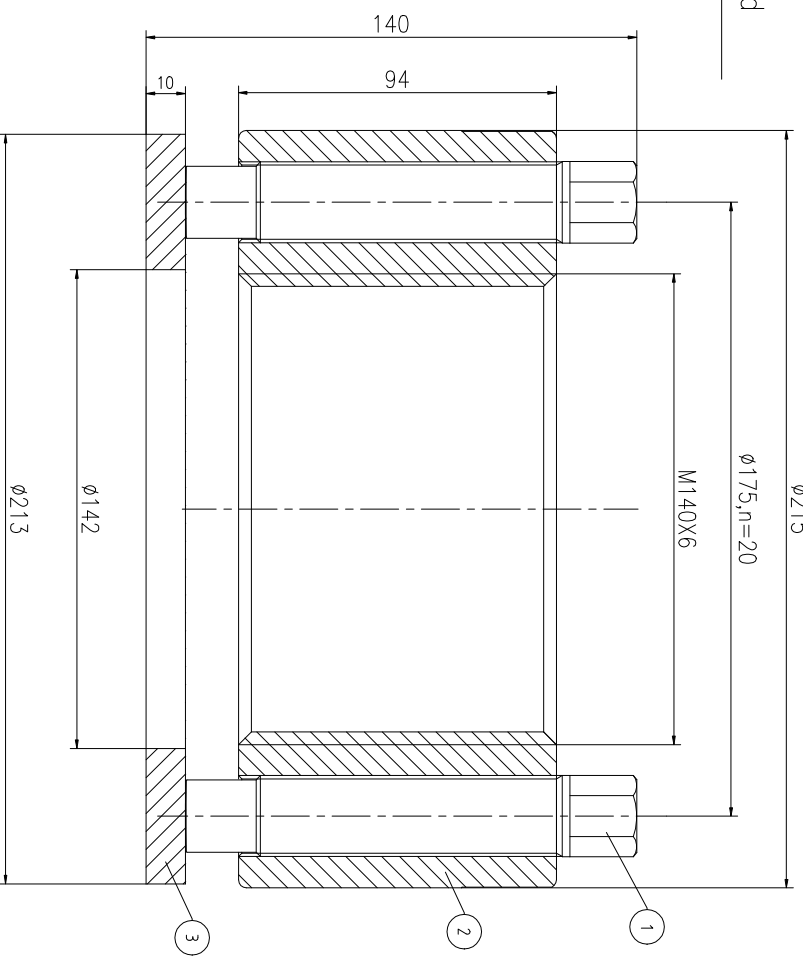
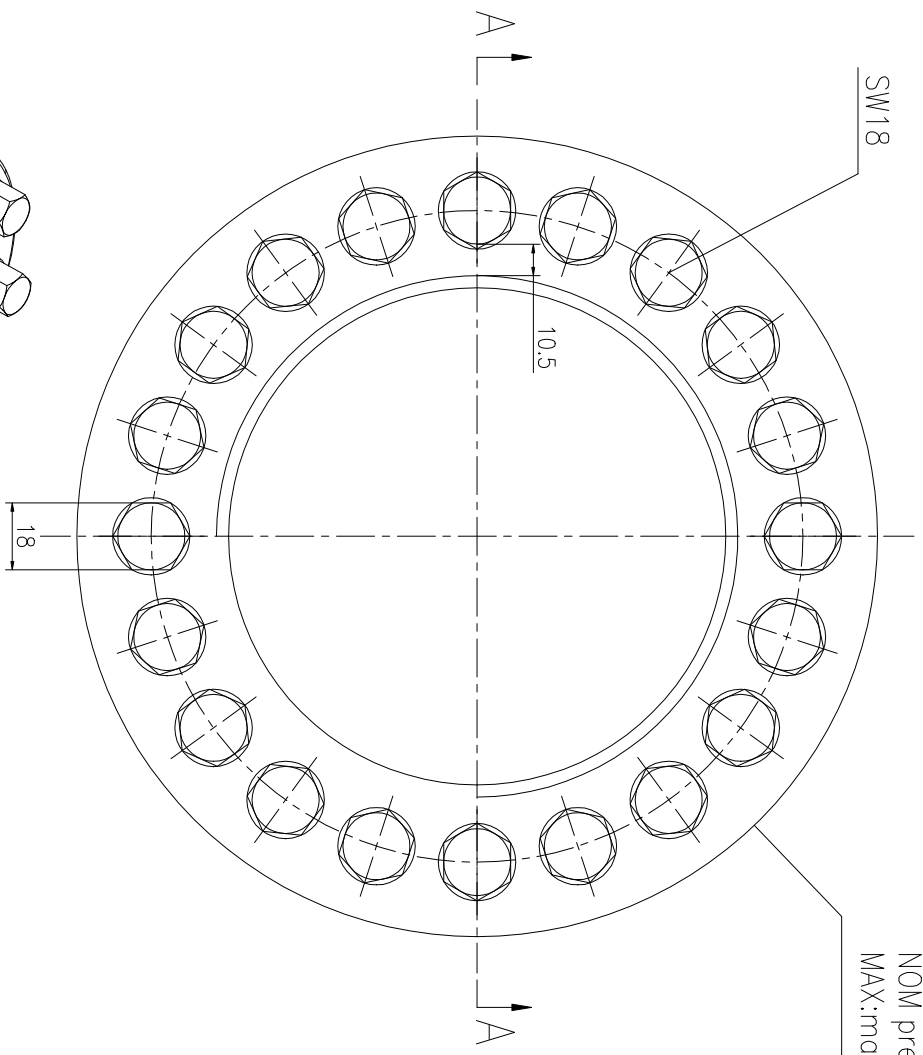


Logo  
 PSN:model  
 NO:drawing number  
 NOM torque:\*\*  
 NOM preload:\*\*  
 MAX:max preload



NOM TORQUE	674NM
NOM PRELOAD	5250KN
MAX PRELOAD CAPACITY	7000KN
LUBRICANT	G-N PLUS
TEMPERATURE RATING	-25 C~250 C

PART	DWG NO.	QTY	DESCRIPTION	MATERIAL	WEIGHT(kg)
1	BAS20.6161301	20	Bolt 13/16-16UN-130	CNMMo	0.34/pcs
2	AS1406101M-1	1	Nut M140X6	CNMMo	11.28
3	AS1406101M-3	1	Gasket 142X213X10	CNMMo	1.55

During on-site installation, please adjust the torque in conjunction with the bolt stretching distance. Without our authorization, the drawings shall not be shared with any third party, and we reserve the right to pursue legal liability against those who disclose the drawings to external parties.

上海康普曼传动机械有限公司  
 KPM Power Transmission (Shanghai) Co.,Ltd  
 +86 021-61301856  
 Liang.Guo@kpmdrive.com.cn

DESIGNED: 2025.11.07  
 REVIEWED: 2025.11.07  
 DRAWN: 2025.11.07

ASM-140X6  
 DWG NO.: AS1406101M  
 SHEET: 1:1

WEIGHT: 19.65kg  
 STATE: PRELIMINARY APPROVED