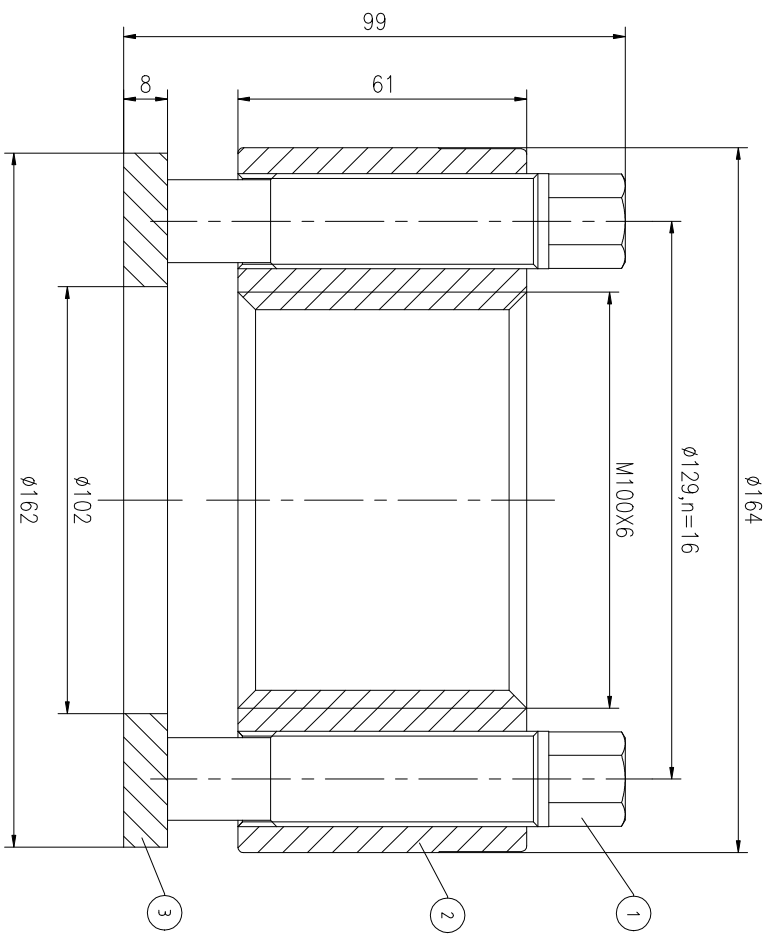
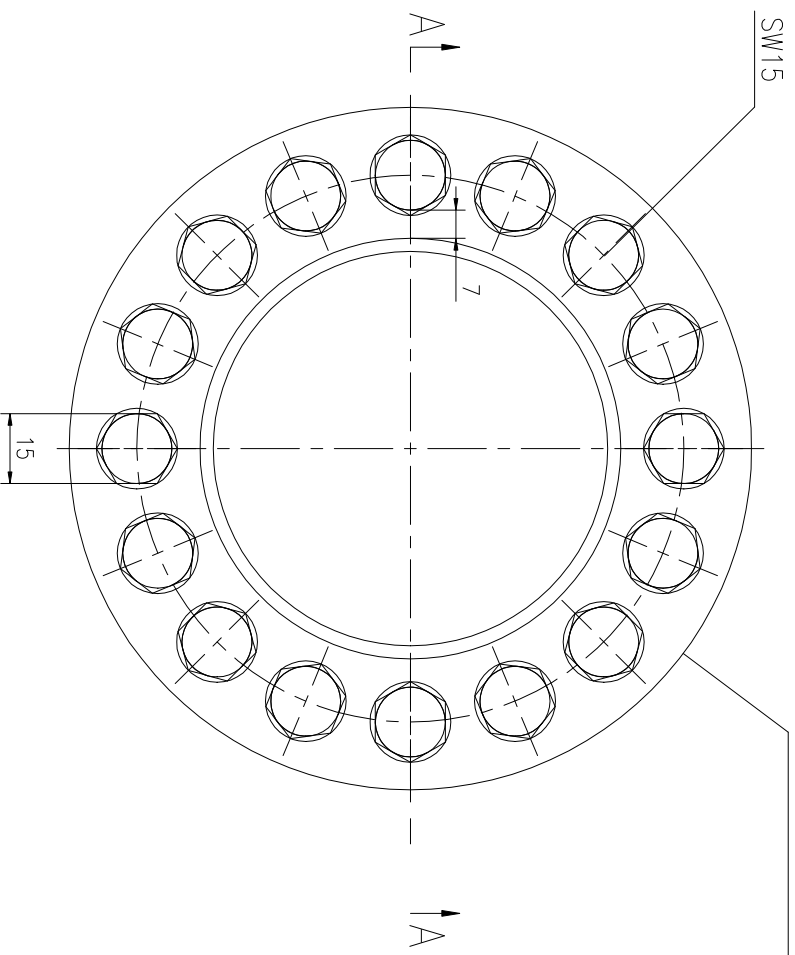


Logo
 PSN:model
 NO:drawing number
 NOM torque:**
 NOM preload:**
 MAX:max preload



PARTS LIST

PART	DWG NO.	QTY	DESCRIPTION	MATERIAL	WEIGHT(kg)
1	BAS17.516911	16	Bolt 11/16-16UN	CNMo	0.17/pcs
2	AS100681M-1	1	Nut M100X6	CNMo	4.86
3	AS100681M-3	1	Gasket 102X162X8	CNMo	0.78

During on-site installation, please adjust the torque in conjunction with the bolt stretching distance. Without our authorization, the drawings shall not be shared with any third party, and we reserve the right to pursue legal liability against those who disclose the drawings to external parties.

NOM TORQUE	352NM	上海康普曼传动机械有限公司	+86 021-61301856
NOM PRELOAD	2530KN	KPM Power Transmission (Shanghai) Co.,Ltd	Liang.Guo@kpmdrive.com.cn
MAX PRELOAD CAPACITY	3380KN	DESIGNED: 2025.11.03	ASM-100X6
LUBRICANT	G-N PLUS	REVIEWED: 2025.11.03	DWG NO.: AS100681M
TEMPERATURE RATING	-25 C ~250 C°	DRAWN: 2025.11.03	SHEET: 1:1

